



Quick Installation Guideline

Grid-tie Transformerless Solar Inverter

Current sensor for H5A_222

- This document briefly explains how to install a current sensor.



More H5A_222 details please scan QR-code to user manual.

http://www.deltaww.com/Products/CategoryListT1.aspx?CID=05010101&PID=4866&hl=en-US&Name=H5A_222

Caution

This document applies to H5A_222.

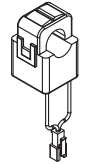

Do not pull the cable strongly.

If the direction and location of the current sensor are wrong or the lock is incomplete, accurate measurement will not be possible. Also, if you drop or apply an impact, accurate measurement will not be possible.

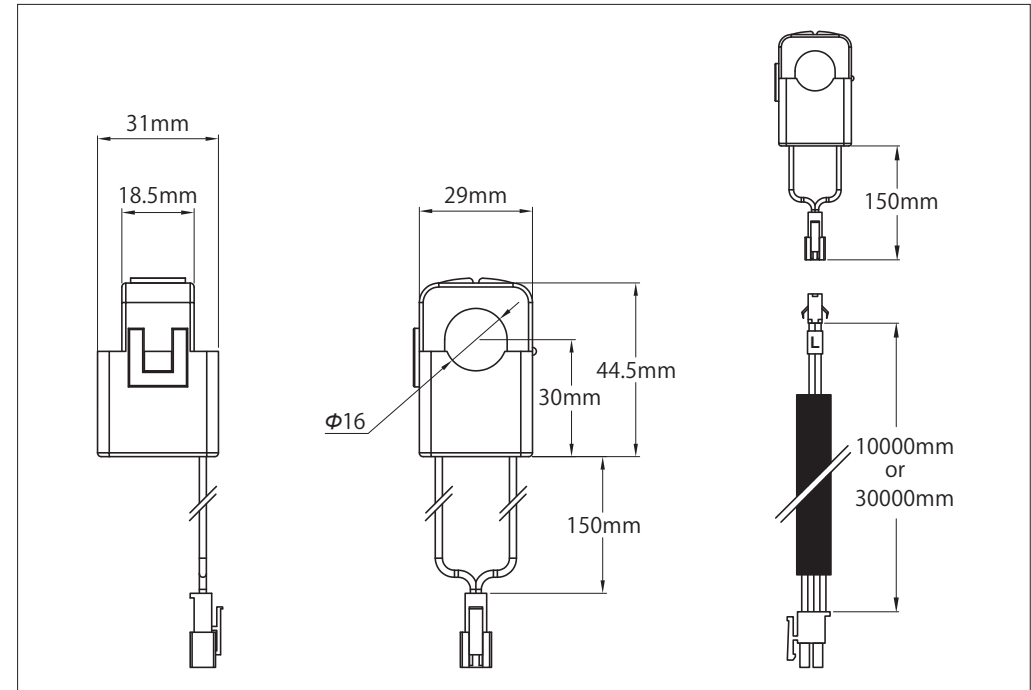
The current sensor has polarity. Install the current sensor so that the power company side is on the grid side and the indoor side is on the main earth leakage breaker side.

Make sure that the connector of the current sensor to be connected and the cable for the current sensor are connected correctly.

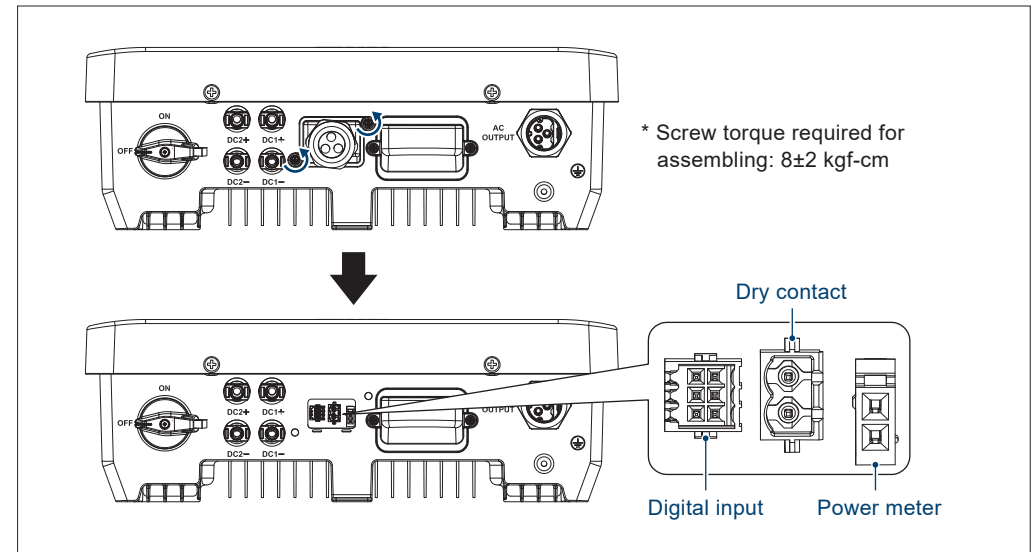
1. Accessories contents

No	Object	Exterior	Qty	Model
1	Current sensor (Φ16)		1	PPM CT16_101
2	Current sensor cable		1	10m: PPM W2_210 30m: PPM W2_230

2. External dimensions



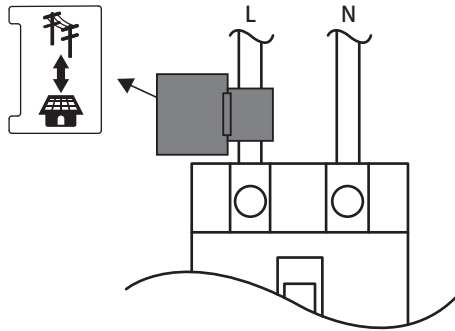
3. Remove the function port



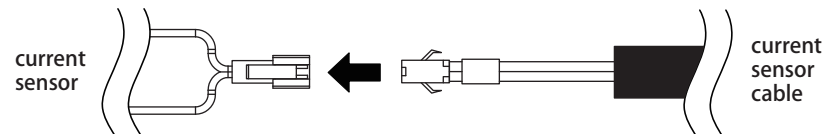
4. Connecting the current sensor

Connecting the current sensor in the following steps

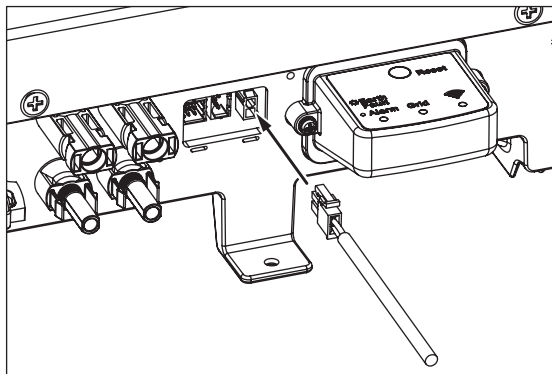
- (1) Attach a current sensor to the L cables of the main earth leakage circuit breaker.
- (2) Clamp current sensor on power line and make sure that the direction is correct.



- (3) Connect the current sensor cable to the current sensor connection terminal of the measurement unit.



- (4) Connect the current sensor cable to the CT sensor connection terminal on the function port.



DELTA ELECTRONICS, INC.

39 Sec. 2 HuanDong Road,
ShanHua Dist., Tainan City 74144,
Taiwan, R.O.C
TEL 886-6-5056565
FAX 886-6-5051919
<http://www.deltaww.com>



20191231